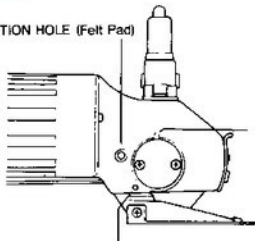


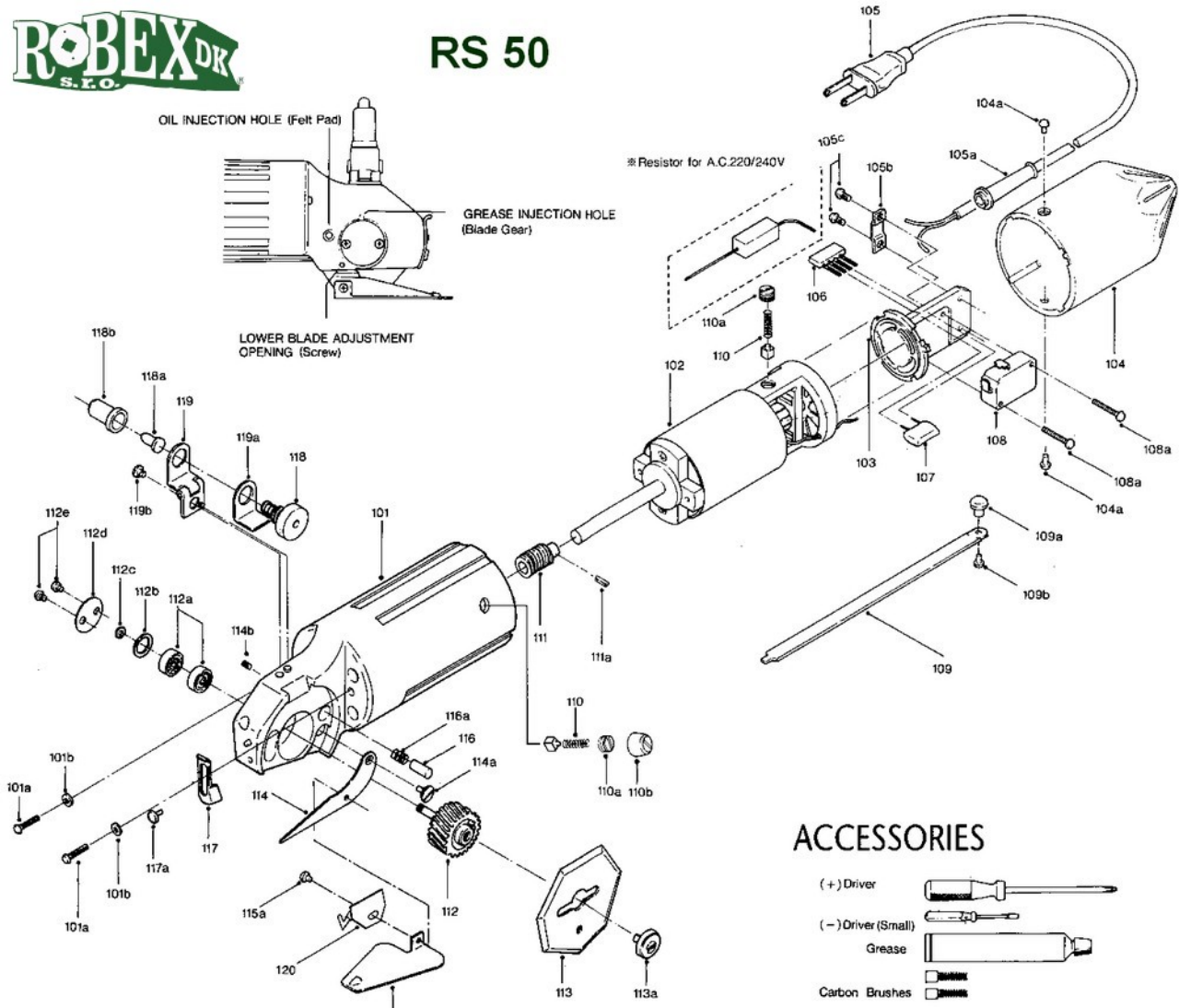
OIL INJECTION HOLE (Felt Pad)



GREASE INJECTION HOLE
(Blade Gear)

LOWER BLADE ADJUSTMENT
OPENING (Screw)

* Resistor for A.C. 220/240V

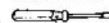


ACCESSORIES

(+) Driver



(-) Driver (Small)



Grease



Carbon Brushes

