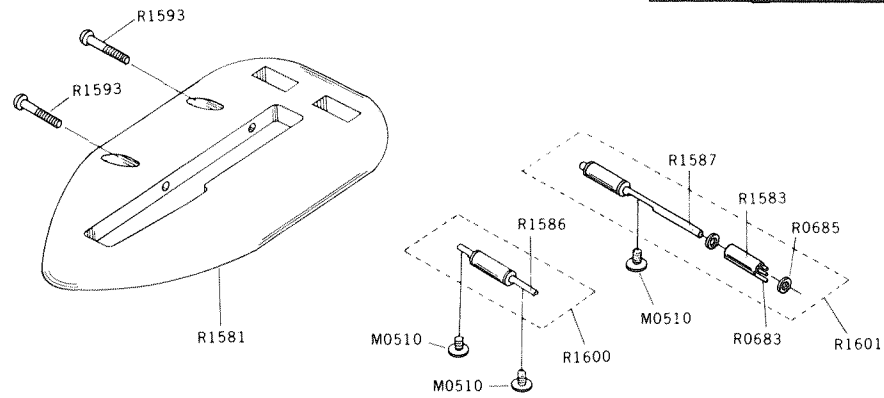
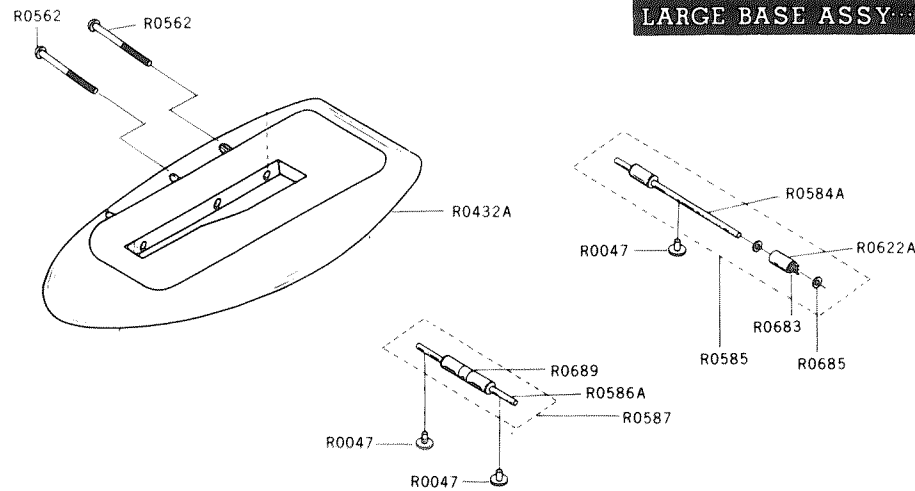


SMALL BASE (FRB) ASSY · R1581Z



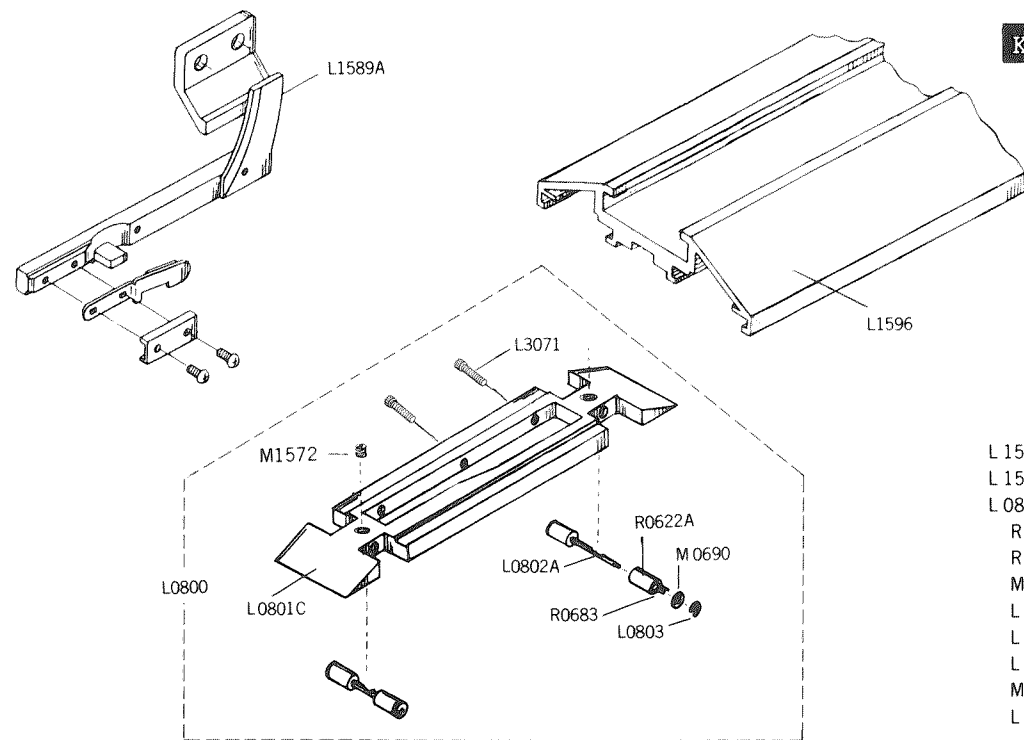
- M0510.....Flat Head Screw
- R1581.....Base (FRB)
- R1593.....Bolt
- R1600.....Needle Roller Complete
- R0683.....Needle Bearing
- R0685.....Washer
- R1583.....Roller
- R1586.....Shaft (Short)
- R1601.....Needle Roller Complete
- R0683.....Needle Bearing
- R0685.....Washer
- R1583.....Roller
- R1587.....Shaft (Long)

LARGE BASE ASSY · R0432AZ



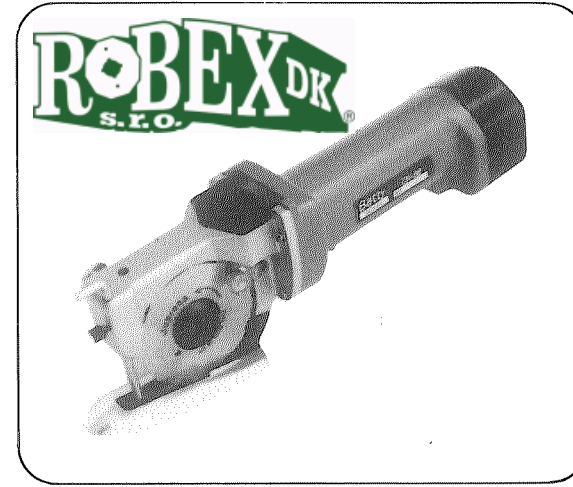
- R0047.....Flat Head Screw
- R0432A.....Base
- R0562.....Bolt
- R0585.....Needle Roller Complete
- R0584AShaft (Long)
- R0622ARoller
- R0683.....Needle Bearing
- R0685.....Washer
- R0587.....Needle Roller Complete
- R0586AShaft (Short)
- R0622ARoller
- R0683.....Needle Bearing
- R0689.....Washer
- R0689.....Collar

KL BASE & CUTTER BAR



- L1589ACutting Guide (KL)
- L1596.....Cutter Bar (2.0m)
- L0800.....Slide Plate Assy
- R0622ARoller
- R0683.....Needle Bearing
- M0690.....Washer
- L0801CSlide Plate
- L0802AShaft
- L0803.....E Ring
- M1572.....Set Screw
- L03071Screw (M4)

AGENT :



**ROUND KNIFE
Batty CUTTER**

MODEL CR-8B SERIES

充電式丸刃裁断機 *Batty* CR-8Bは数々のすぐれた特徴を持つカーペット、皮、毛布、布帛用のコードレス裁断機です。
ご使用になる前に必ず下記の取扱説明書をよくお読み下さい。

〔ご使用前注意〕

本機を初めて、または長時間使用された場合、バッテリー (R3501) を充電器 (R3502 / R3503) を使用して再充電して下さい (再充電可能回数約300回) 充電所要時間は約60分です。
本機をご使用にならない時は、安全スイッチ (R3500-2) をロックしておいて下さい。バッテリー (R3501) は絶対に分解したり、水に浸けたり、燃したりしないで下さい。

〔裁断〕

安全スイッチ (R3500-2) のロックを外し、ワンタッチレバー (R3500-4) を握ると、ナイフ (R0740) が回転します。
ガード棒 (R3520) をつまみネジ (R0554Z) をゆるめて上にあげ、裁断して下さい。最大裁断厚は15mmです。
ベース (R3504) を取外すと、曲線裁断も容易になります。
裁断作業に合わせて各種のベースに取替る事ができます。

〔研磨装置〕

押しボタン (R0582Z) を軽く押しすと、砥石 (R0688Z) がナイフ (R0740) を研磨します。(強く押し過ぎるとナイフの刃先が傷みます)
常時刃先を鋭利にしておく事が、正確な裁断をもたらします。

〔給油〕

- a) アブラダイ (R1506) 一本機を毎日使用される場合は、フェルト (M0680) に毎日2回付属のオイル (M0670) で給油して下さい。
- b) ギヤ (R2555 / R0446) 一本機を毎日使用される場合は、1週間に一度、付属のグリース (R0672) をグリースカップ (R0626Z) に注入して下さい。

〔ナイフ交換〕

アブラダイ (R1506) を取除き、ナイフ (R0740) の穴と本体 (R3505) の穴を合わせて、ピンを差込みます。
ナイフ止メネジ (R1580) をスパナ (R0798) で半時計方向に回して、ナイフ (R0740) を取外して下さい。
ナイフ (R0740) は直径73mmになると交換して下さい。また必要に応じて、固定刃 (R1591) も取替えて下さい。

〔砥石交換〕

ナイフ (R0740) を取除いたのち、平ネジ (M0510) を外すと砥石 (R0688Z) が交換できます。段付平ネジ (M0508) を取除いて段付軸 (M0602) を本体 (R3505) から外したのち、押しボタン (R0582Z) をゆるめて、ツルマキバネ (M0620) を交換して下さい。

〔充電器〕

バッテリー (R3501) 保護のため特別な充電回路を採用していますので、気温10℃～35℃の範囲で充電して下さい。
充電器は銘板に表示している電圧で御使用の上、充電完了後はパイロットランプが消灯しますので、差込プラグを電源から必ず抜いて下さい。
充電器は連続使用しますと故障の原因となりますので、15分間程度休ませて御使用下さい。また交換用バッテリー (R3501) をお持ちになると、連続作業も可能です。

The ROUND KNIFE *Batty* CUTTER model CR-8B provides a most powerful and amazingly fastest cutting performance, having many distinguished features: Namely

- Extra thin knife support bracket.
- Newly designed cordless handy cutter, operatable at any place without electric source.
- Available fine cutting for carpet, blanket, canvas leather and etc.
- Carbide stationary counter blade.
- Automatic sharpener.
- 6-different replaceable knives.
- Light weight 1.7kg

The following are the operating instruction for the *Batty* ROUND KNIFE CUTTER. (All numbers given below are referred to the parts list in next page.)

START TO OPERATE:

When using this cutter at first time or after keeping for long time without using, the Battery (R3501) should be recharged by the Battery Charger (R3502 or R3503) (Battery charging takes for about 60-minutes and charging served at about 300 times) In case of non-operation, the Switch/plate assembly (R3500-2) should be kept turned-off. And the Battery (R3501) should not be analyzed, wetted and burned absolutely.

CUTTING OPERATION:

- Turn-on the Switch/plate assembly (R3500-2), and grasp Intermittent on/off switch (R3500-4), so that the knife rotation will start.
- Loosen the knob screw (R0554Z), and adjust height of guard bar (R3520), and tighten the knob screw (R0554Z). Available maximum height for cutting is upto 15mm.
- The cutter is usually used for cutting of straight line. By means of loosening screw Bolt (R1593) and removing the Base (R3504), the Cutting Guide (R1589) with Counter Blade (R1519) can cut the curve of sharp angle. And prepared replaceable many different guide and base according to the cutting materials.

SHARPENING KNIFE:

Lightly press the sharpener Push Button (R0582Z), in order for the Sharpening Stone (R0688Z) to grinds the Knife (R0740). (if pressed too strong, it may happen to damage the tip of knife.) Keep the knife always sharp and clean to obtain accurate cutting.

LUBRICATION:

- Oscillating Oiler (R1506) - In case of using the cutter daily, saturates Oil Pad (M0680) twice daily with Oil (M0670).
- Gears (R0446 & R2555) - In case of using the cutter daily, fill the grease into the gears at one time in a week with Tube of Grease (R0672) through Grease Cup (R0626Z) at the back of Gear Housing (R3505).

KNIFE REPLACEMENT:

Remove the oscillating Oiler (R1506), and insert a pin or nail into the hole of Gear Housing (R3505) through hole of Knife (R0740). So that the Knife (R0740) not rotates. Loosen Knife Lock Nut (R1580) to counter-clock-wise by the Spanner (R0798), so that can remove the Knife (R0740). Replace the knife and also the Counter Blade (R1519) if necessary. When the knife is worn upto about 73mm dia., it is imperative to be replaced with new one.

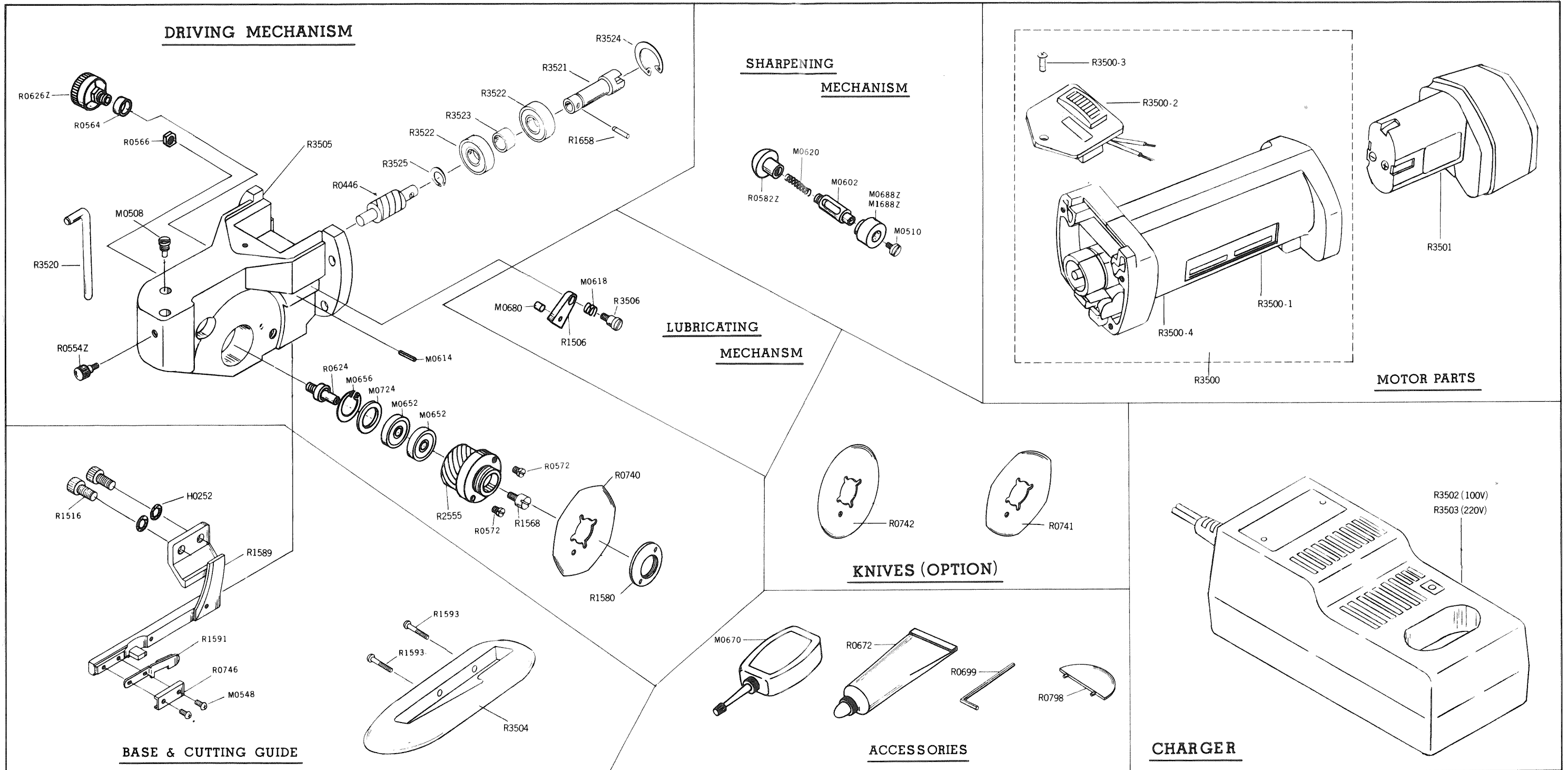
REPLACEMENT OF SHARPENING STONE:

After removed the knife, loosen the Stepped Screw (M0508) to take out sharpening mechanism. Remove Sharpening Stone (M0688Z or M1688Z) from Stepped Shaft (M0602), by loosening Flat Head Screw (M0510), and set the new sharpening stone. Remove compression Spring (M0620) by loosening the Push Button (R0582Z) on stepped shaft. Replace sharpening mechanism into Gear Housing (R3505), after inserted the stepped screw through gear housing and into stepped shaft. Then replace compression spring and push button.

BATTERY CHARGER

- Battery (R3501) should be used at the temperature at the 10℃ ~ 30℃, due to the circuit system.
- Battery Charge (R3502 or R3503) should be use at the proper electricity which mentioned on the model and name plate, and after execution of battery charging, pilot lamp light will be off. So that the connector of electric cord should be pull out from electric source.
- Battery Charger (R3502 or R3503) should keep rest for about 15-minutes after one time charging.
- For the satisfactory operation, wish recommend to prepare another Battery (R3501) for replacement, so that you are able to have continuous operation.

ROUND KNIFE Batty CUTTER PARTS LIST



DRIVING MECHANISM

- R0446.....Worm
- M0508.....Stepped Screw
- R0554Z.....Knob Screw
- R0564.....Spacer
- R0566.....Nut
- R0572.....Flat Head Screw
- M0614.....Pin
- R0624.....Stepped Shaft
- R0626Z.....Grease Cup
- M0652.....Ball Bearing
- M0656.....Snap Ring
- M0724.....Washer
- R1568.....Flat Head Screw
- R1580.....Knife Lock Nut
- R1589.....Pin

- R2555.....Worm Wheel
- R3505.....Gear Housing
- R3520.....Guard Bar
- R3521.....Shaft
- R3522.....Ball Bearing
- R3523.....Spacer
- R3524.....C Ring
- R3525.....Inverted Ring
- R0740.....8-Sided Knife

LUBRICATING MECHANISM

- R3506.....Stepped Screw
- M0618.....Spring
- M0680.....WA Oil Pad
- R1506.....Oiler

SHARPENING MECHANISM

- M0510.....Flat Head Screw
- R0582Z.....Push Button
- M0602.....Stepped Shaft
- M0620.....Spring
- R0688Z.....Sharpening Stone Medium(Standard)
- R1688Z.....Sharpening Stone Fine(Optional)

Base & CUTTING GUIDE

- H0252.....Toothed Washer
- M0548.....Fillister Head Screw
- R0746.....Plate
- R1516.....Allen Screw
- R1589.....Cutting Guide
- R1591.....Counter Blade
- R1593.....Bolt
- R3504.....Base

MOTOR PARTS

- R3500.....Motor/Switch Assy.
- R3500-1.....Rotor Only
- R3500-2.....Switch/Plate Assy.
- R3500-3.....Screw
- R3500-4.....ONE-touch Lever
- R3501.....Battery (DC9V)

CHARGER

- R3502.....Charger (100V)
- R3503.....Charger (220V)

KNIVES

- R0741.....6-sided Knife (Option)
- R0742.....Round Knife (Option)



HEAT-FREE

R0740HF

R0741HF

R0742HF

ALSO AVAILABLE HEAT FREE TEFLON COATED KNIFE FOR ANTI-FRICTION (OPTION)

- R0740HF.....Heat-Free 8-sided Knife
- R0741HF.....Heat-Free 6-sided Knife
- R0742HF.....Heat-Free Round Knife

ACCESSORIES

- M0670.....Oiler
- R0672.....Tube of Grease
- R0699.....Allen Key (5mm)
- R0798.....Spanner

