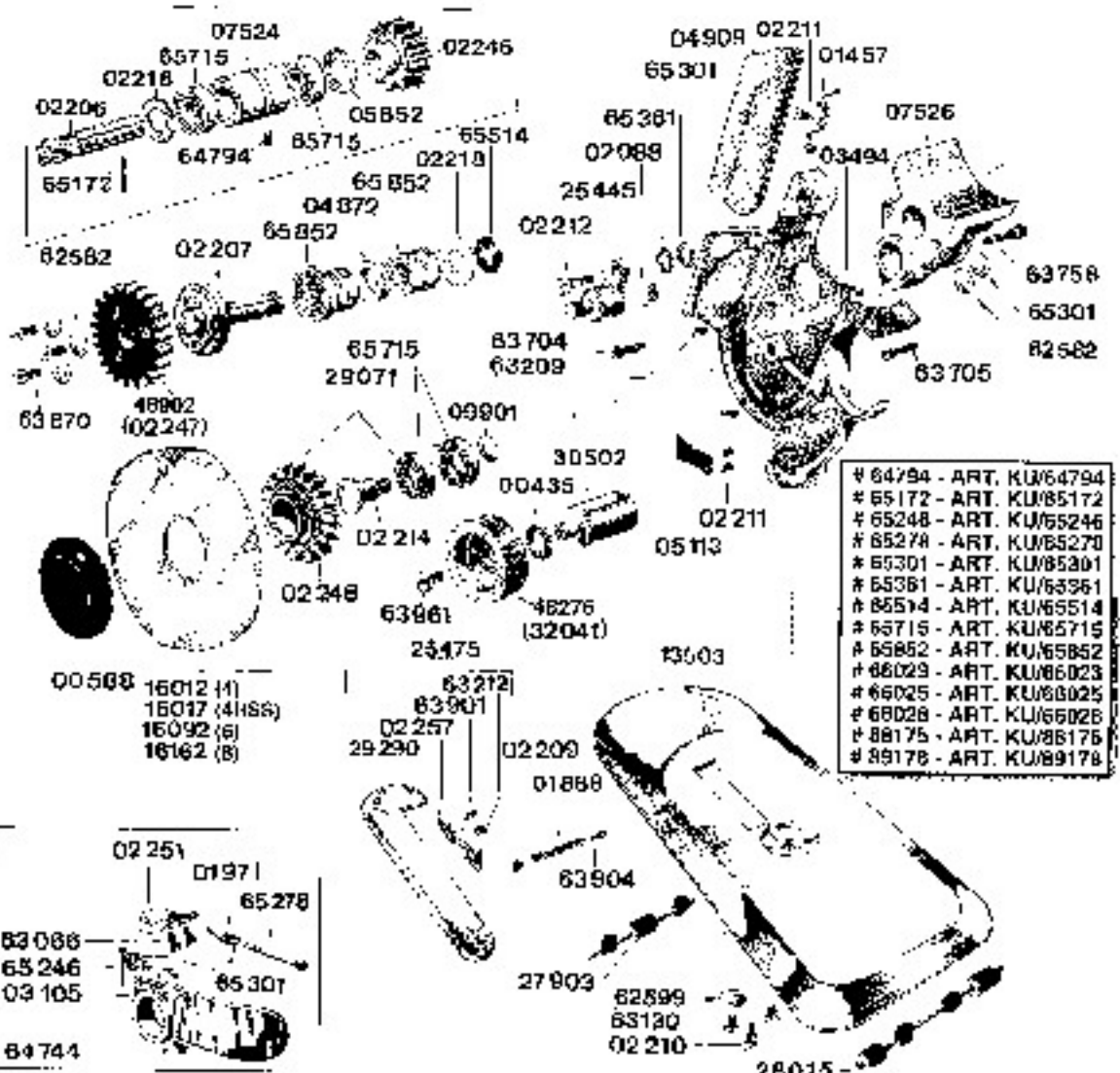
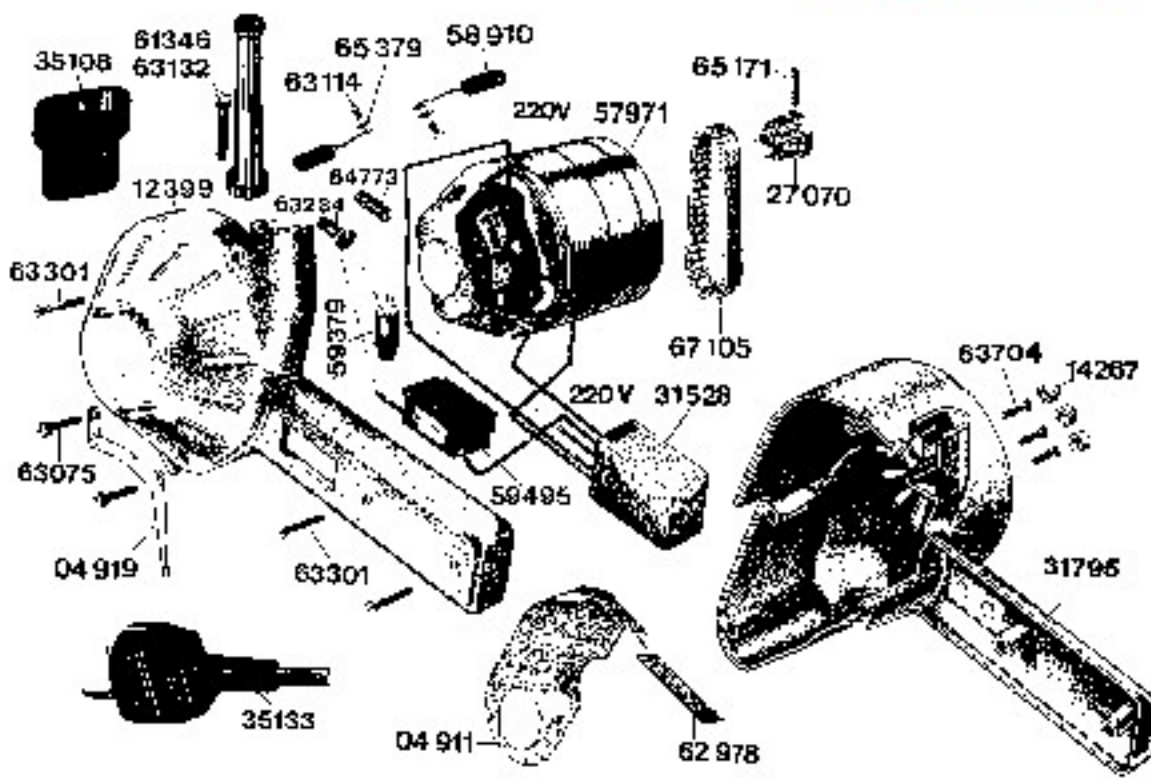
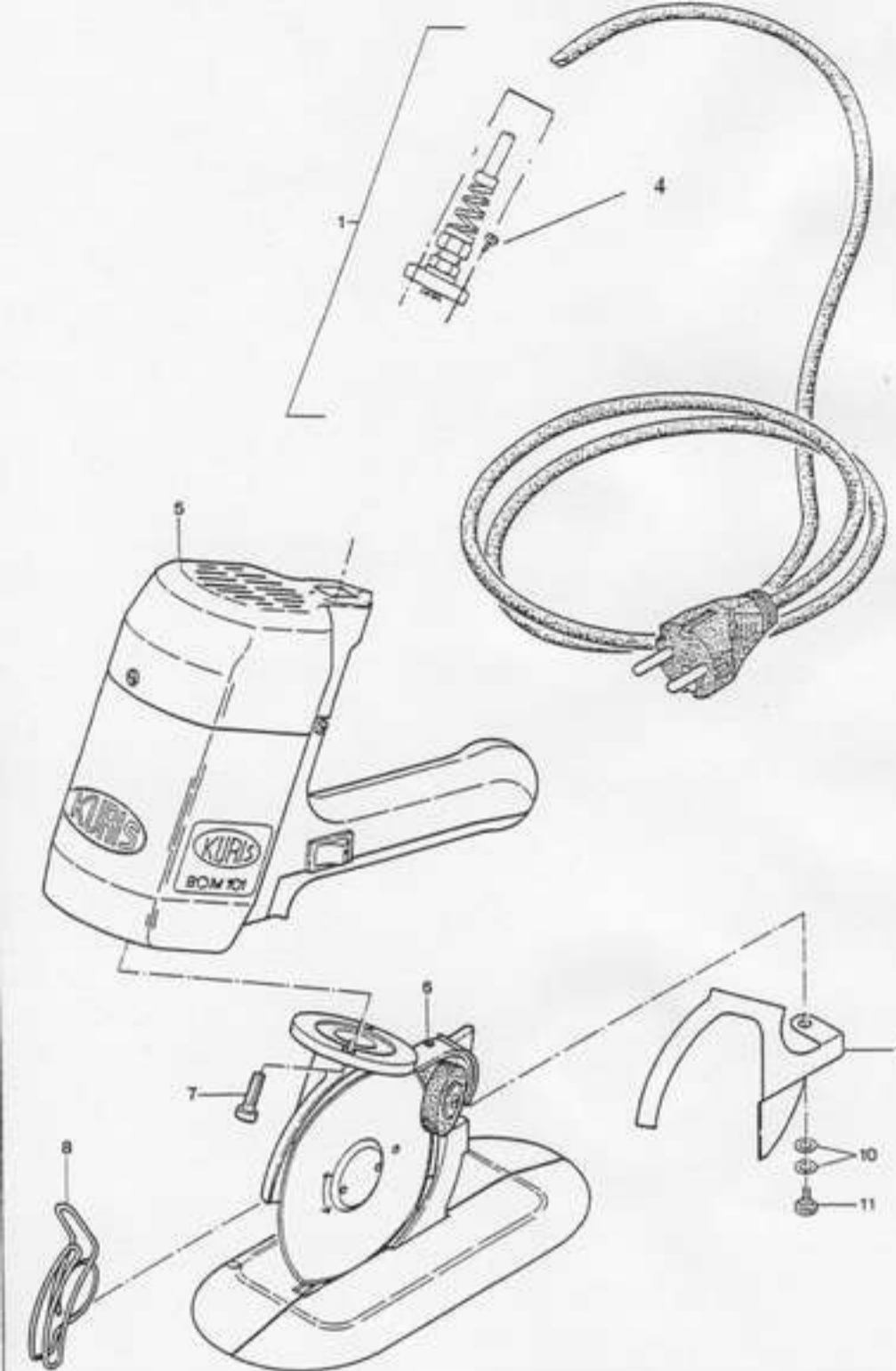


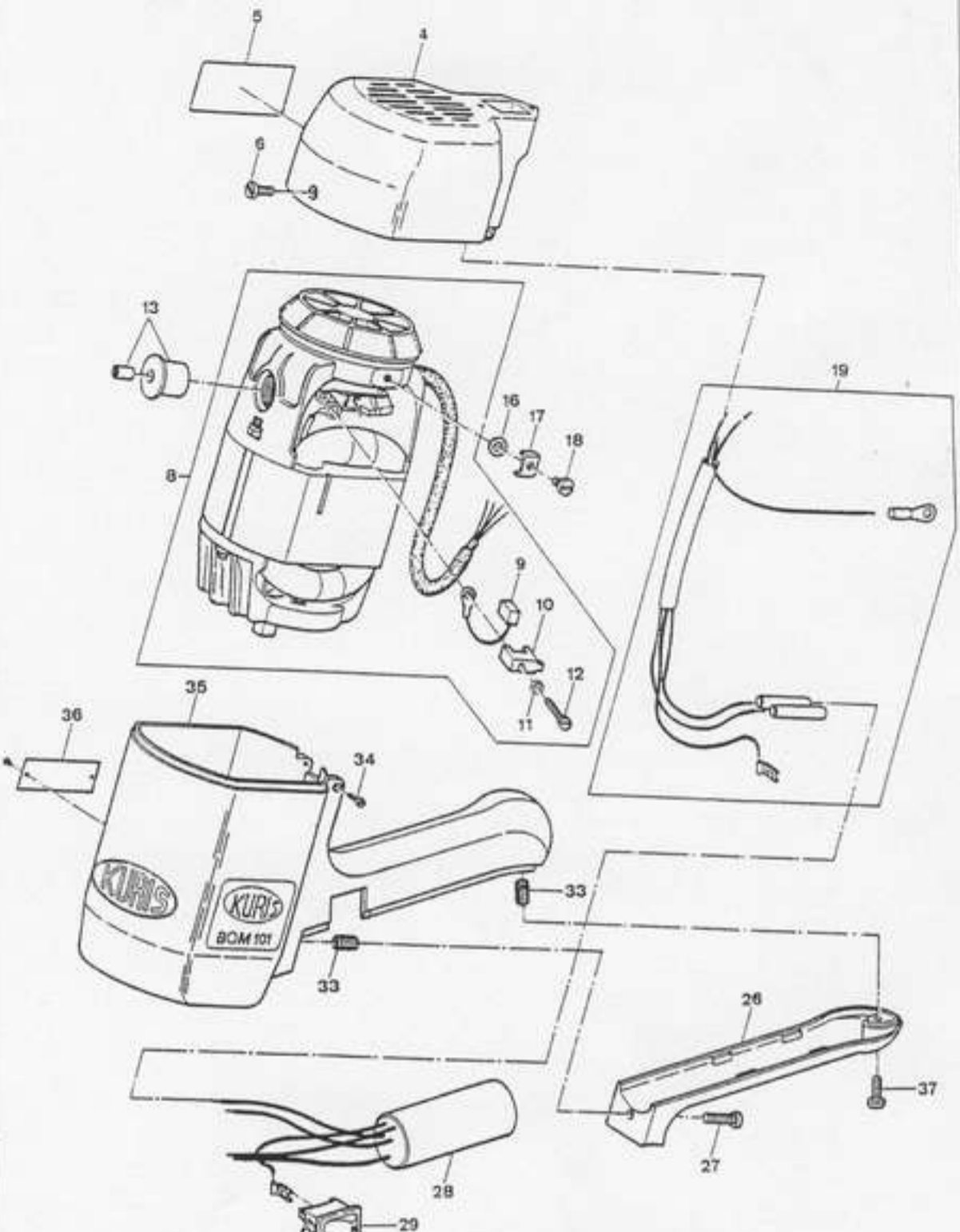
BOM 30



- # 04911 - ART. KU04911
- * 12399 - ART. KU12399
- * 14267 - ART. KU14267
- # 27070 - ART. KU27070
- * 57971 - ART. KU57971
- # 31795 - ART. KU31795
- # 35109 - ART. KU35109
- # 35133 - ART. KU35133
- # 58910 - ART. KU58910
- # 59379 - ART. KU59379
- # 59495 - ART. KU59495
- # 61346 - ART. KU61346
- # 62978 - ART. KU62978
- # 63075 - ART. KU63075
- # 63114 - ART. KU63114
- # 63132 - ART. KU63132
- # 63234 - ART. KU63234
- # 63301 - ART. KU63301
- # 63704 - ART. KU63704
- # 31528 - ART. KU31528
- # 64773 - ART. KU64773
- # 65171 - ART. KU65171
- # 65379 - ART. KU65379
- # 67105 - ART. KU67105
- # 67105 - ART. KU67105
- # 63704 - ART. KU63704
- # 14267 - ART. KU14267
- # 31795 - ART. KU31795
- # 62978 - ART. KU62978
- # 62978 - ART. KU62978
- # 04919 - ART. KU04919
- # 01971 - ART. KU01971
- # 02206 - ART. KU02206
- # 02207 - ART. KU02207
- # 02209 - ART. KU02209
- # 02210 - ART. KU02210
- # 02211 - ART. KU02211
- # 02212 - ART. KU02212
- # 02214 - ART. KU02214
- # 02216 - ART. KU02216
- # 02218 - ART. KU02218
- # 02246 - ART. KU02246
- # 02248 - ART. KU02248
- # 02251 - ART. KU02251
- # 02257 - ART. KU02257
- # 03105 - ART. KU03105
- # 03494 - ART. KU03494
- # 04872 - ART. KU04872
- # 04909 - ART. KU04909
- # 04919 - ART. KU04919
- # 05113 - ART. KU05113
- # 05852 - ART. KU05852
- # 07524 - ART. KU07524
- # 07526 - ART. KU07526
- # 09901 - ART. KU09901
- # 13503 - ART. KU13503
- # 16012 - ART. S/16012
- 4 lati originale (4 sides genuine)
- # 16012 - ART. S/K00
- 4 lati non org. (4 sides not genuine)
- ART. S/K80T
- lancia non org. (pivota not genuine)
- # 16092 - ART. S/16092
- 6 lati originale (6 sides genuine)
- # 16162 - ART. S/16162
- 0 lati originale (0 sides genuine)
- # 25445 - ART. KU25445
- # 25475 - ART. KU25475
- # 27208 - ART. KU27208
- # 27903 - ART. KU27903
- # 28016 - ART. KU28016
- # 29071 - ART. KU29071
- # 29290 - ART. KU29290
- # 30502 - ART. KU30502
- # 31391 - ART. KU31391
- # 48275 - ART. KU48275
- # 48902 - ART. KU48902
- # 62582 - ART. KU62582
- # 62599 - ART. KU62599
- # 63068 - ART. KU63068
- # 63130 - ART. KU63130
- # 63208 - ART. KU63208
- # 63212 - ART. KU63212
- # 63670 - ART. KU63670
- # 63705 - ART. KU63705
- # 63758 - ART. KU63758
- # 63901 - ART. KU63901
- # 63904 - ART. KU63904
- # 63961 - ART. KU63961
- # 64744 - ART. KU64744
- # 64794 - ART. KU64794
- # 65172 - ART. KU65172
- # 65248 - ART. KU65248
- # 65278 - ART. KU65278
- # 65301 - ART. KU65301
- # 65361 - ART. KU65361
- # 65514 - ART. KU65514
- # 65715 - ART. KU65715
- # 65852 - ART. KU65852
- # 66029 - ART. KU66029
- # 66025 - ART. KU66025
- # 66028 - ART. KU66028
- # 88175 - ART. KU88175
- # 89178 - ART. KU89178
- # 64794 - ART. KU64794
- # 65172 - ART. KU65172
- # 65248 - ART. KU65248
- # 65278 - ART. KU65278
- # 65301 - ART. KU65301
- # 65361 - ART. KU65361
- # 65514 - ART. KU65514
- # 65715 - ART. KU65715
- # 65852 - ART. KU65852
- # 66029 - ART. KU66029
- # 66025 - ART. KU66025
- # 66028 - ART. KU66028
- # 88175 - ART. KU88175
- # 89178 - ART. KU89178
- # 64794 - ART. KU64794
- # 65172 - ART. KU65172
- # 65248 - ART. KU65248
- # 65278 - ART. KU65278
- # 65301 - ART. KU65301
- # 65361 - ART. KU65361
- # 65514 - ART. KU65514
- # 65715 - ART. KU65715
- # 65852 - ART. KU65852
- # 66029 - ART. KU66029
- # 66025 - ART. KU66025
- # 66028 - ART. KU66028
- # 88175 - ART. KU88175
- # 89178 - ART. KU89178

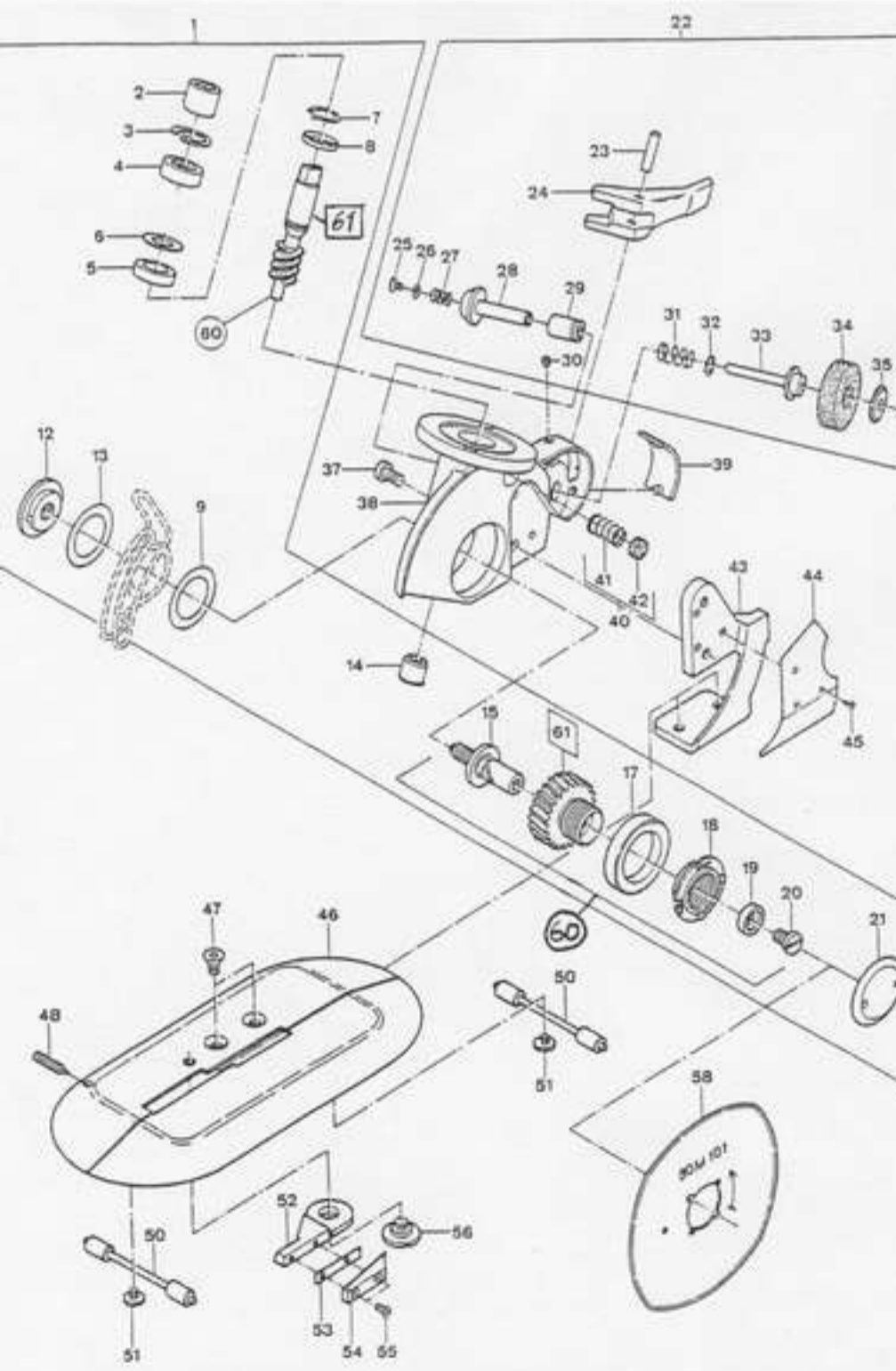


004	21063	HAUBE HOOD CAPOT	
005	60634	VDE-GS-PRUEFZEICHEN MARK OF CONFORMITY VDE-GS MARQUE DE CONFORMITE VDE-GS	AUFKLEBER CA.50X20MM GRUEN
006	63036	SCHRAUBE M 3,5X 10 SCREW M 3,5X 10 VIS M 3,5X 10	5.8 VERNICKELT 5.8 5.8
008	24711	MOTOR MOTOR MOTEUR	220/240V U8040 220/240V-50/60 C/S 220/240V-50/60 HZ
008	54579	MOTOR MOTOR MOTEUR	110V-50/60HZ 110V-50/60 C/S 110V-50/60 HZ
009	40072	KOHLEBUERSTE CARBON BRUSH BALAI DE CHARBON	5,0X6,4X15
010	21673	SICHERUNG BLOCK BLOC	
011	65340	FEDERRING B 3 SPRING WASHER B 3 ANNEAU-RESSORT B 3	F.ST
012	63070	SCHRAUBE M 3 X 20 SCREW M 3 X 20 VIS M 3 X 20	4.8 BRUENIERT 4.8 4.8
013	53634	STOPFEN STOPPER BOUCHON	
016	64070	FAECHERSCHEIBE A4,3 SERRATED LOCK WASHER A 4,3 RONDELLE A DENTS A 4,3	F.ST GALV.VERZINKT
017	61443	KLEMMBUEGEL C 8 CLAMPING SADDLE FOR CONDUCTO ETRIER DE SERRAGE POUR	MSVN C 8 CONDUCTEURS C 8
018	63073	SCHRAUBE M 4 X 8 SCREW M 4 X 8 VIS M 4 X 8	MS VERNICKELT MS MS
019	53374	KABELBAUM LACED WIRING HARNESS HARNAIS DE CABLES	
026	21065	DECKEL COVER COUVERCLE	
027	65077	SCHRAUBE M 4X 15 SCREW M 4X 15 VIS M 4X 15	8.8 BRUENIERT 8.8 8.8
028	60845	ENTSTOERFILTER INTERFERENCE ELIMINATOR FILTRE ANTIPRASITES	0,2UF+2X2400UFXY+2X10MH/HPF
BOM 101 V 48425 MOTOR VERSTÄRKT 220/240V-50/60HZ MOTOR MOTEUR			



BOM 101

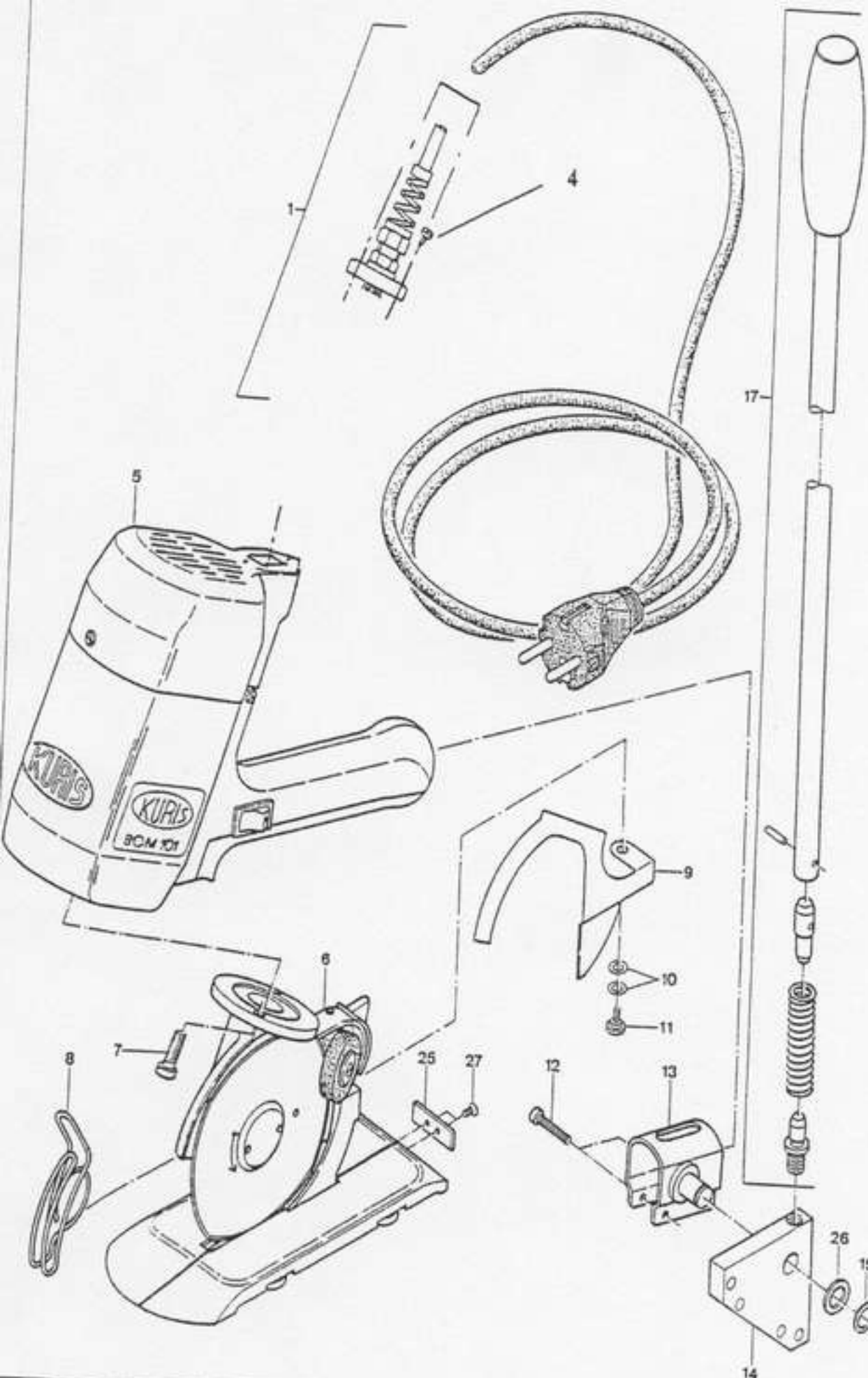
055	63214	SCHRAUBE M 3 X 8 SCREW M 3 X 8 VIS M 3 X 8	4.8 BRUENIERT 4.8 4.8
056	22222	BUNDSCHRAUBE BOLT VIS	4.8
058	16022	4-BOGENMESSER 4-BOW KNIFE COUPEAU A 4 PANS	AUS WERKZEUGSTAHL
058	16027	4-BOGENMESSER 4-BOW KNIFE COUPEAU A 4 PANS	IN DMO-5 QUALITAET
060	41983	SCHNECKE GEARING ENGRENAGE	
061	56288	SCHNECKERAD WORM GEAR TRANSMISSION A VIS SANS FIN	
062	22190	SCHRAUBENRAD SPIRAL-TOOTHED GEAR WHEEL ROUE A DENTS HELICOIDES	M= 1,25 Z= 23 M= 1,25 Z= 23
063	22661	SCHNECKENWELLE WORM VIS	M= 1,25 Z= 23



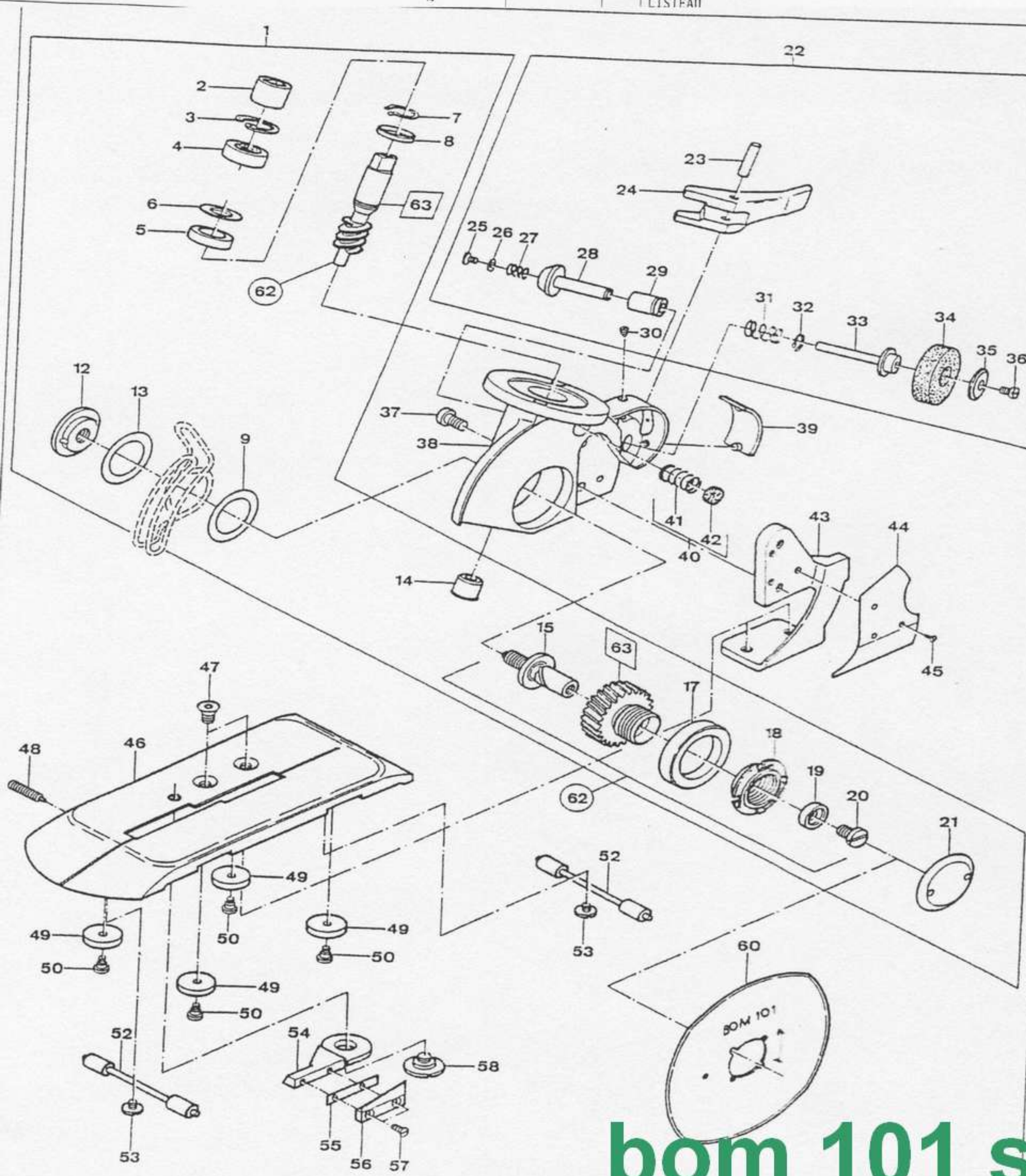
001	57148	NETZKABEL POWER CORD CABLE DE DISTRIBUTION	
004	40860	SCHRAUBE B 2,9X 13 SREW B 2,9X 13 VIS B 2,9X 13	
005	54584	ANTRIEB DRIVE COMMANDE	220/250V-50/60HZ 220/250V-50/60C/S 220/250V-50-60HZ
005	54585	ANTRIEB DRIVE COMMANDE	110V-50/60HZ 110V-50/60C/S 110V-50/60HZ
006	54583	UNTERSATZ BASE BASE	
007	63802	SCHRAUBE M 5 X 16 SCREW M 5 X 16 VIS M 5 X 16	8.8 8.8 8.8
008	21083	FINGERSCHUTZ FINGER GUARD PROTEGE-DOIGTS	
009	21082	ABDECKUNG COVERING RELEVEMENT	
010	65575	TELLERFEDER DISC SPRING RESSORT A DISQUES	12,5X 6,2X0,35 12,5X 6,2X0,35 12,5X 6,2X0,35
011	64298	SCHRAUBE M 4 X 2,5 SCREW M 4 X 2,5 VIS M 4 X 2,5	5.8 BRUENIERT 5.8 5.8
029	64071	NETZSCHALTER MAINS SWITCH INTERRUPTUEUR D'ALIMENTATION	1-POLIG 1 POLE A 1 POLE
034	40067	SCHRAUBE M.ZAPPEN SCREW WITH FULL DOG POINT VIS A PIVOT	5.8 BRUEN.
035	21062	MOTORGEHAEUSE MOTOR HOUSING CARTER MOTEUR	
036	21120	LEISTUNGSSCHILD RATING PLATE PLAQUE INDICATRICE	220V 600 U/MIN 220V 220V
037	66534	SCHRAUBE M 4X 10 SCREW M 4X 10 VIS M 4X 10	8.8 BRUENIERT 8.8 8.8
038	65745	KUGELLAGER 6200-2RS BALL BEARING 6200-2RS ROULEMENT A BILLES 6200-2RS	10/ 30X 9 10/ 30X 9 10/ 30X 9
039	65834	KUGELLAGER 608-2Z BALL BEARING 608-2Z ROULEMENT A BILLES 608-2Z	8/ 22X 7 8/ 22X 7 8/ 22X 7
040	47026	RINGKOHLEHALTER BRUSH-HOLDER BOM 101	FÜR U 8040

001	54582	GETRIEBE GEARING ENGRENAGE	
002	22224	KUPPLUNG COUPLING ACCOUPLEMENT	
003	65428	RING 19 X 1 CIRCLIP FOR BORE 19 X 1 CIRCLIP INTERIEUR 19 X 1	
004	64552	RAD-WELLENDICHTUNG ROTARY SHAFT SEAL BAGUE A LEVRES	R 10X19X 7 R 10X19X 7 R 10X19X 7
005	65787	KUGELLAGER 61800 BALL BEARING 61800 ROULEMENT A BILLES 61800	10/ 19X 5 10/ 19X 5 10/ 19X 5
006	00462	SCHLEIFE WASHER RONDELLE	10,0/14,0X 0,5 10,0/14,0X 0,5 10,0/14,0X 0,5
007	65407	RING 10 X1 CIRCLIP FOR SHAFT 10 X1 CIRCLIP EXTERIEUR 10 X1	
008	22233	RING RING BAGUE	17,0/ 19,0X 2,6 17,0/ 19,0X 2,6 17,0/ 19,0X 2,6
009	00472	SCHLEIFE WASHER RONDELLE	20,0/28,0X 0,2 20,0/28,0X 0,2 20,0/28,0X 0,2
012	21088	GETRIEBEMUTTER NUT ECROU	
013	65631	AUSGLEICHSCHLEIFE WASHER RONDELLE	19,3X25,8X0,3
014	21090	LAGERBUCHSE BUSH DOUILLE	
015	22225	BOLZEN BOLT BOULON	
017	61172	SIMMERING ROTARY SHAFT SEAL BAGUE A LEVRES	22,0 X35,0X5,0 22,0 X35,0X5,0 22,0 X35,0X5,0
018	21086	MESSERFLANSCH KNIFE FLANGE BRIDE A COUPEAU	
019	00566	SCHLEIFE F. GETRIEBE WASHER FOR GEAR RONDELLE	
020	00314	SENKSCHRAUBE COUNTERSUNK SCREW VIS A TETE FRAISEE	
021	00584	MESSERMUTTER KNIFE NUT ECROU DE COUPEAU	
022	53242	SCHLEIFAPPARAT GRINDING DEVICE DISPOSITIF D'AFFUTAGE	
023	65018	ZYL-STIFT 4 M6X16 PARALLEL PIN 4 M6X16 GOUPILLE 4 M6X16	ST60 ST60 ST60
024	21084	SCHLEIFHEBEL GRINDING LEVER LEVIER D'AFFUTAGE	
025	63960	SCHRAUBE M 2,5X 4 SCREW M 2,5X 4 VIS M 2,5X 4	5.8 BRUENIERT 5.8 5.8
026	00521	SCHLEIFE WASHER RONDELLE	3,1/ 7,0X 0,3 3,1/ 7,0X 0,3 3,1/ 7,0X 0,3
027	12699	DRUCKFEDER PRESSURE SPRING RESSORT DE PRESSION	0,5 X 5,2X 9,0 0,5 X 5,2X 9,0 0,5 X 5,2X 9,0
028	21096	BUCHSE BUSH DOUILLE	
029	21097	BUCHSE BUSH DOUILLE	6,0/ 9,0X 14,0 6,0/ 9,0X 14,0 6,0/ 9,0X 14,0
030	64863	GEW.STIFT M 4 X 6 SET SCREW M 4 X 6 VIS SANS TETE M 4 X 6	45H 45H 45H
031	21106	DRUCKFEDER PRESSURE SPRING RESSORT DE PRESSION	0,8 X 7,9X 14,3 0,8 X 7,9X 14,3 0,8 X 7,9X 14,3
032	65403	RING 6 X0,7 CIRCLIP FOR SHAFT 6 X0,7 CIRCLIP EXTERIEUR 6 X0,7	
033	21095	BOLZEN BOLT BOULON	
034	24062	SCHLEIFSCHEIBE GRINDING WHEEL MEULE	GC120-K5-VDT
034	24063	SCHLEIFSCHEIBE GRINDING WHEEL MEULE	RA 150
035	23661	SCHLEIFE WASHER RONDELLE	
036	63144	SCHRAUBE M 3 X 5 SCREW M 3 X 5 VIS M 3 X 5	4.8 BRUENIERT 4.8 4.8

037	64345	SCHRAUBE M 5 X 8 SCREW M 5 X 8 VIS M 5 X 8	8.8 8.8 8.8
038	21064	GETRIEBEGEHAEUSE GEAR CASING BOITE D'ENGRENAGES	
039	21671	HITZESCHILD THERMAL SHIELD BOULIER THERMIQUE	
040	27169	FILZUELER FELT OILER GRAISSEUR FEUTRE	NOVITA
041	01925	DRUCKFEDER PRESSURE SPRING RESSORT DE PRESSION	0,6 X 9,2X 11,0 0,6 X 9,2X 11,0 0,6 X 9,2X 11,0
042	02088	FILZ FUEER OELER FELT FEUTRE	
043	22218	TRAGSTUETZE CONSOLE CONSOLE	
044	21670	ABSTREIFBLECH STRIPPER RACLOIR	
045	63208	SCHRAUBE M 2,5X 4 SCREW M 2,5X 4 VIS M 2,5X 4	5.8 VERNICKELT 5.8 5.8
046	22216	FUSSPLATTE SOLE PLATE SEMELLE	BOM 101
047	64385	SCHRAUBE M 5 X 8 SCREW M 5 X 8 VIS M 5 X 8	8.8 BRUENIERT 8.8 8.8
048	64553	FEDERDRUCKSTUECK SPRING PRESSURE PIECE PIECE DE PRESSION A RESSORT	M 5X18 M 5X18 M 5X18
050	25274	LAUFROLLE KOMPL. ROLLER GALETS	
051	00317	ZYLINDERSCHRAUBE CHEESE HEAD SCREW VIS A TETE CYLINDRIQUE	
052	22215	HALTER HOLDER SUPPORT	F.GEGENSCHNEIDKLINGE FOR COUNTER BLADE POUR CONTRE TRANCHANT
053	22259	BLECH PLATE TOLE	
054	22219	GEGENSCHNEIDKLINGE COUNTER BLADE CONTRE TRANCHANT	



001	57148	NETZKABEL POWER CORD CABLE DE DISTRIBUTION	
004	40860	SCHRAUBE B 2,9X 13 SREW B 2,9X 13 VIS B 2,9X 13	
005	54584	ANTRIEB DRIVE COMMANDE	220/250V-50/60HZ 220/250V-50/60C/S
005	54585	ANTRIEB DRIVE COMMANDE	220/250V-50-60HZ 110V-50/60HZ 110V-50/60C/S 110V-50/60HZ
006	54583	UNTERSATZ BASE BASE	
007	63802	SCHRAUBE M 5 X 16 SCREW M 5 X 16 VIS M 5 X 16	8.8 8.8 8.8
008	21083	FINGERSCHUTZ FINGER GUARD PROTEGE-DOIGTS	
009	21082	ABDECKUNG COVERING REVETEMENT	
010	65575	TELLERFEDER DISC SPRING RESSORT A DISQUES	12,5X 6,2X0,35 12,5X 6,2X0,35 12,5X 6,2X0,35
011	64298	SCHRAUBE M 4 X 2,5 SCREW M 4 X 2,5 VIS M 4 X 2,5	5.8 BRUENIERT 5.8 5.8
012	63707	SCHRAUBE M 4 X 25 SCREW M 4 X 25 VIS M 4 X 25	8.8 8.8 8.8
013	53466	NOCKENTRAEGER SUPPORT FOR CAM SUPPORT A CAME	
014	53465	NOCKENSCHIEBE CAM PLATE DISQUE A CAMES	
015	65407	RING 10 X1 CIRCLIP FOR SHAFT 10 X1 CIRCLIP EXTERIEUR 10 X1	
017	27149	HANDGRIFF KURZ HANDLE POIGNEE	600 MM 600 MM 600 MM
017	27971	HANDGRIFF LANG HANDLE POIGNEE	900 MM 900 MM 900 MM
025	22611	LEISTE STRIP LISTE	900 MM



bom 101 s